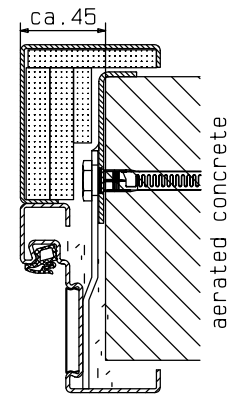
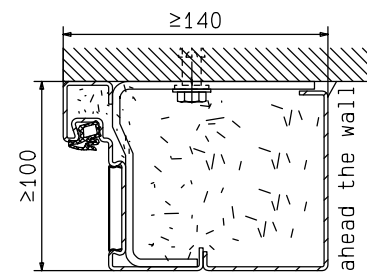
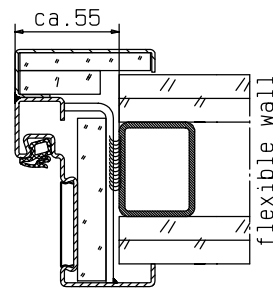
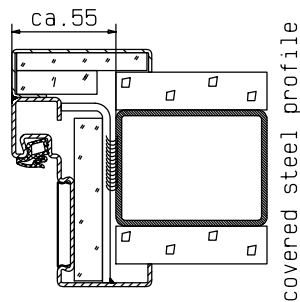
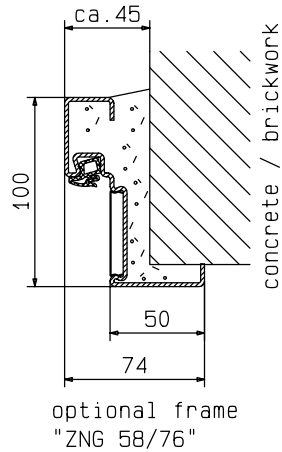
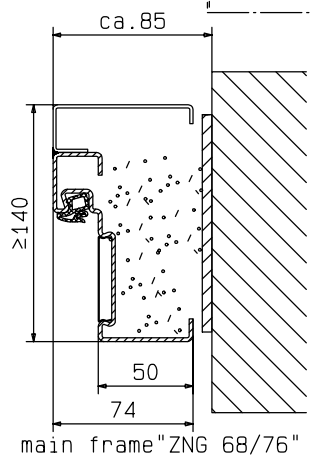
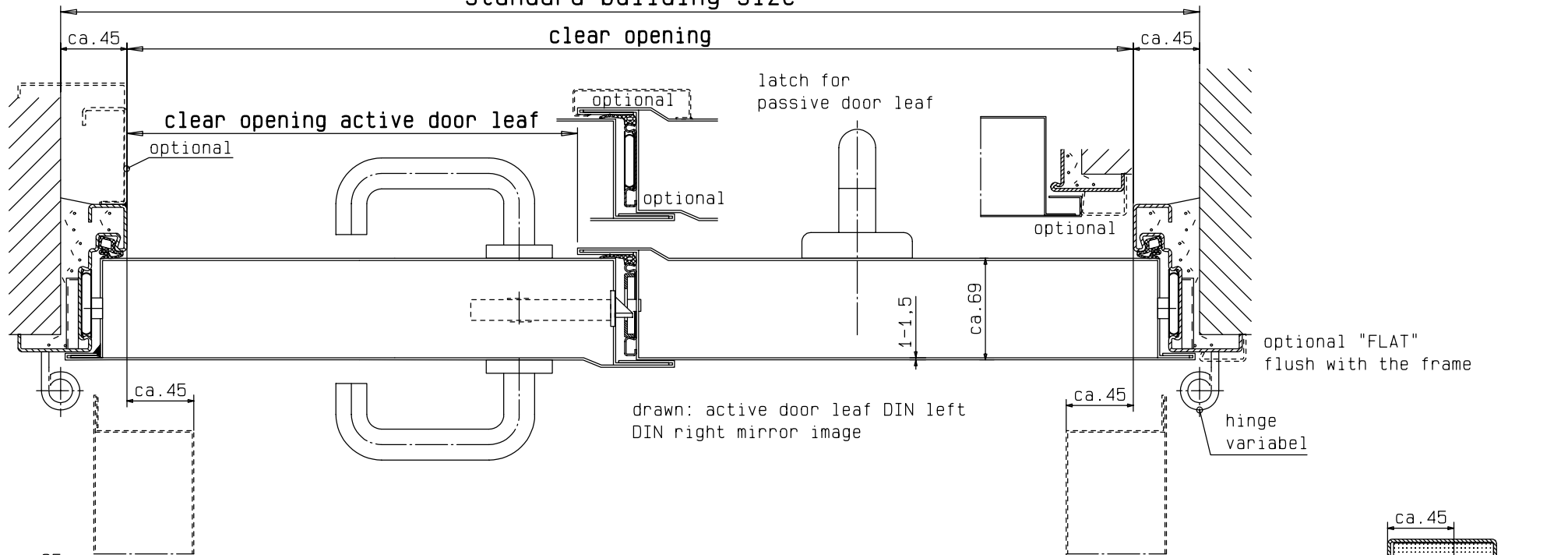


standard building size



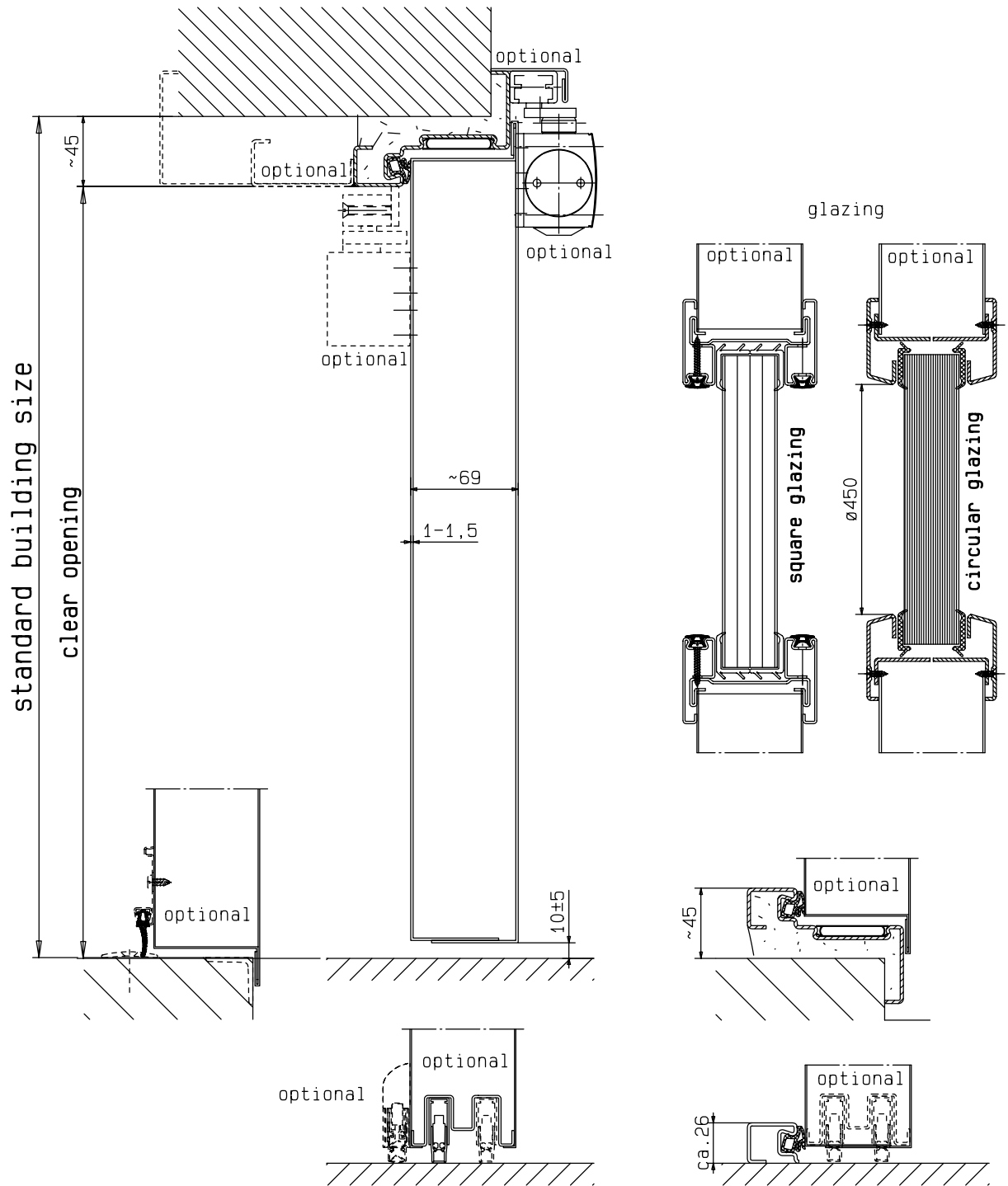
detail of glazing
see at vertical cross-section

System Schröders
Innovation Tür und Tor

Gerhard-Welter-Straße 7; D-41812 Erkelenz

double leaf steel fire door
EI290/E90/EW60-C5-S2(S200)
"System Schröders TSN-12"
horizontal cross-section

01.07.2020



Also deliverable as an external door
CE-marked according to EN 14351-1

details of fitting or frame
see at horizontal cross-section

System Schröders
Innovation Tür und Tor

Gerhard-Welter-Straße 7; D-41812 Erkelenz

double leaf steel fire door
EI290/E90/EW60-C5-Sa(S200)
"Systeme Schröders TSN-12"
vertical cross-section