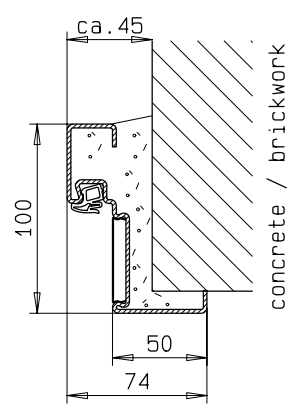
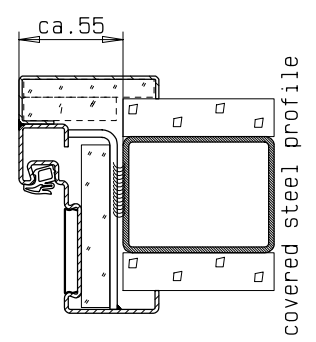


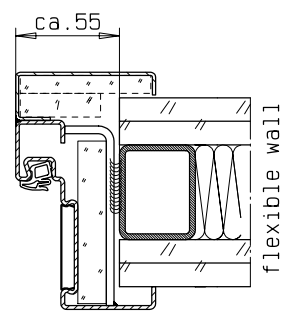
main frame
"ZG/ZNG 68/76"



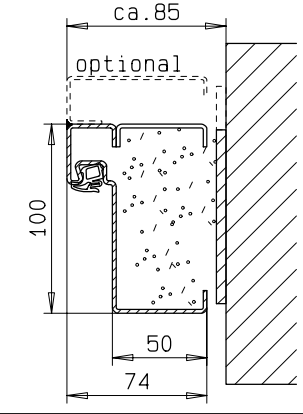
frame "ZNG 58/76",
optional at thick rebate



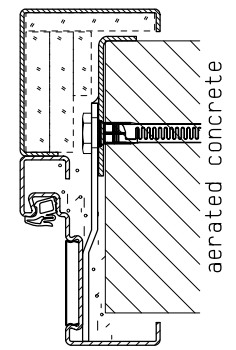
covered steel profile



flexible wall



optional



aerated concrete

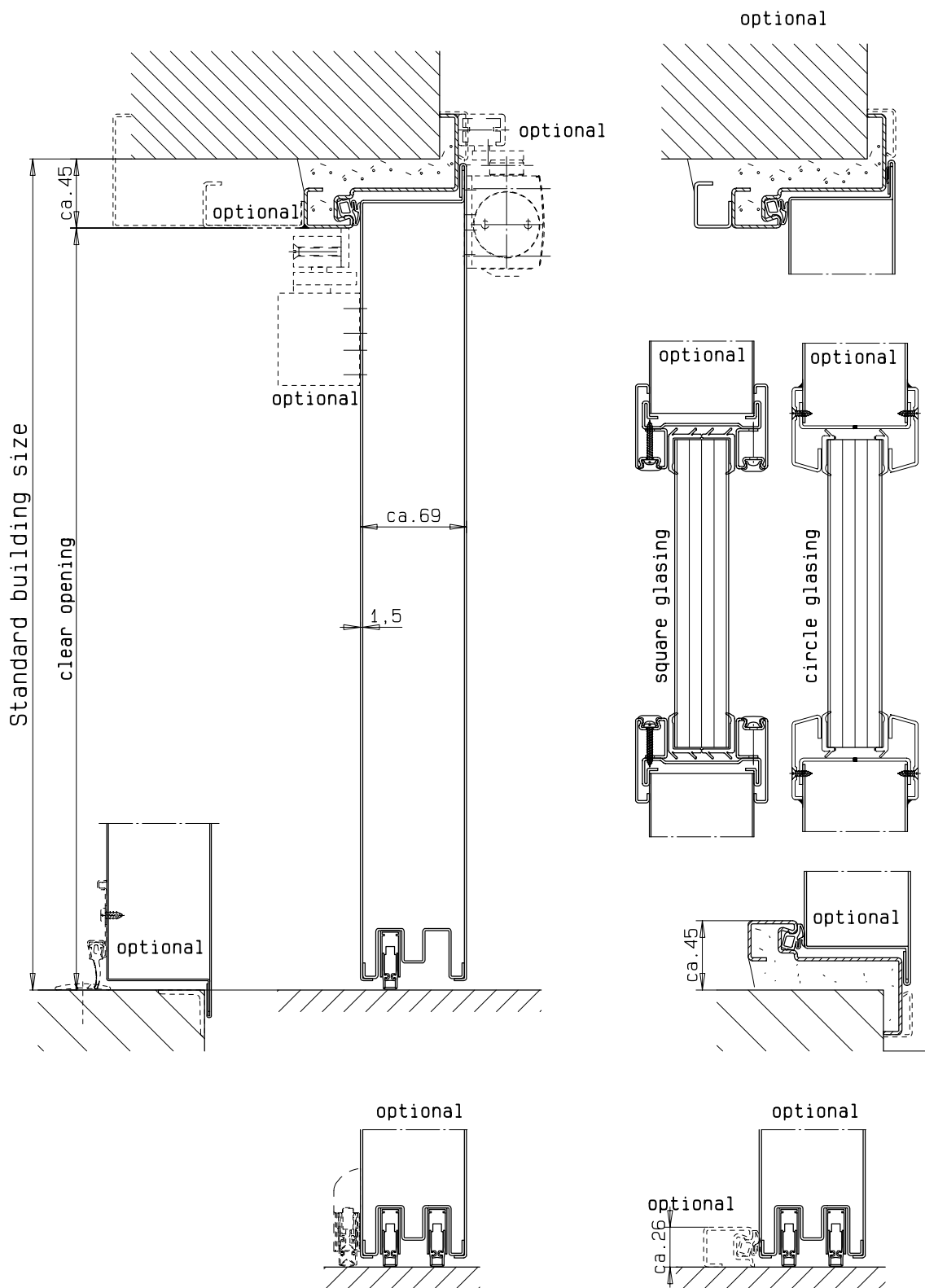
System Schröders
Innovation Tür und Tor

Gerhard-Welter-Straße 7; D-41812 Erkelenz

single leaf steel door
for acoustic performance
"System Schröders SN-1"

horizontal cross-section

To consider the best possible noise reduction, the wall construction has to have minimum the same specification of noise reduction like the door.



Available with CE label as a external door appropriate to EN 14351-1

System Schröders
 Innovation Tür und Tor
 Gerhard-Welter-Straße 7; D-41812 Erkelenz

**single leaf steel door
 for acoustic performance
 "System Schröders SN-1"
 vertical cross-section**