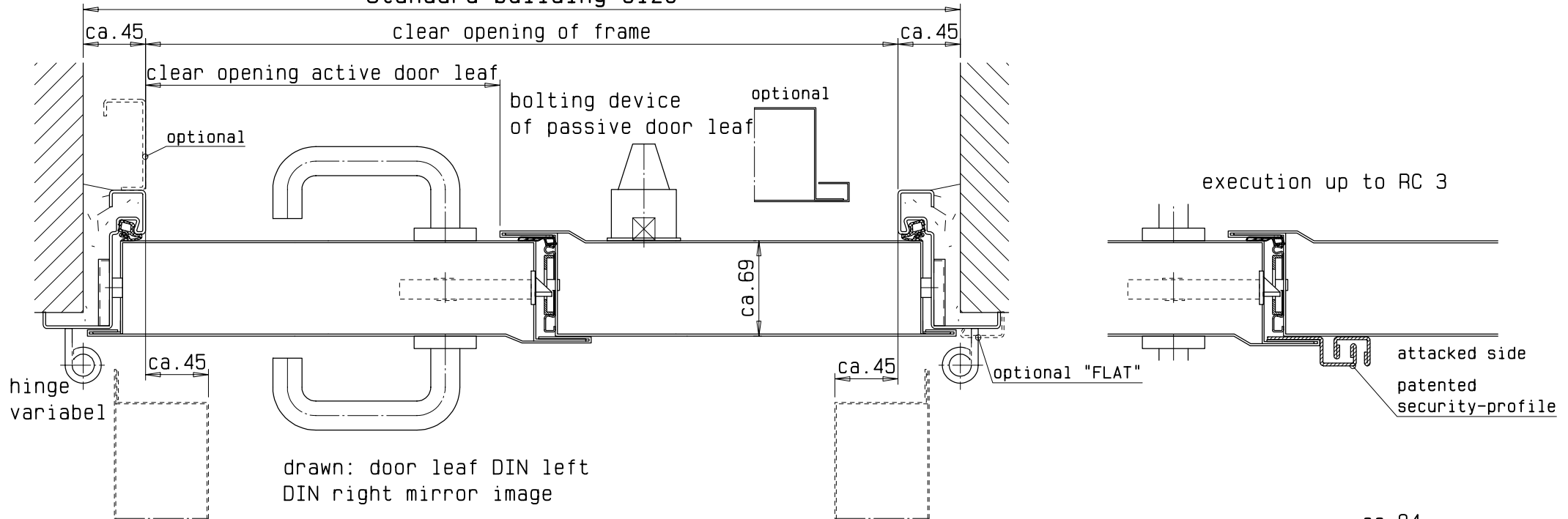
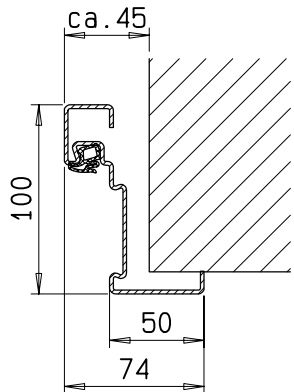


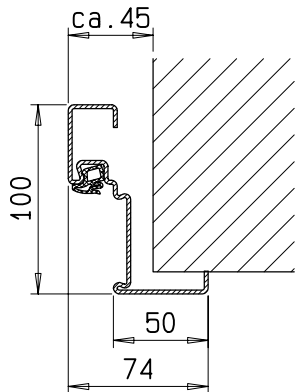
Standard building size



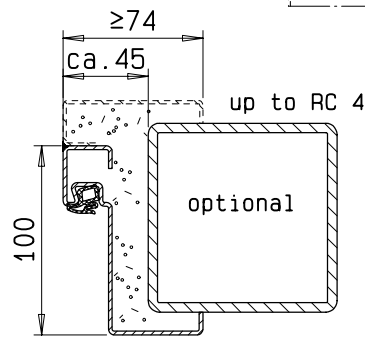
drawn: door leaf DIN left
DIN right mirror image



frame "ZNG 68/76",
optional

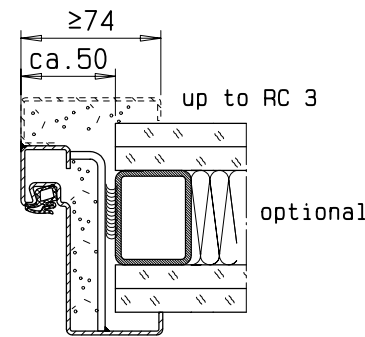


frame "ZNG 58/76",
optional



up to RC 4

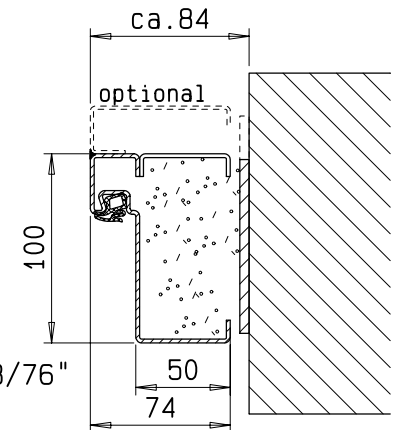
optional



up to RC 3

optional

frame "ZG 68/76"

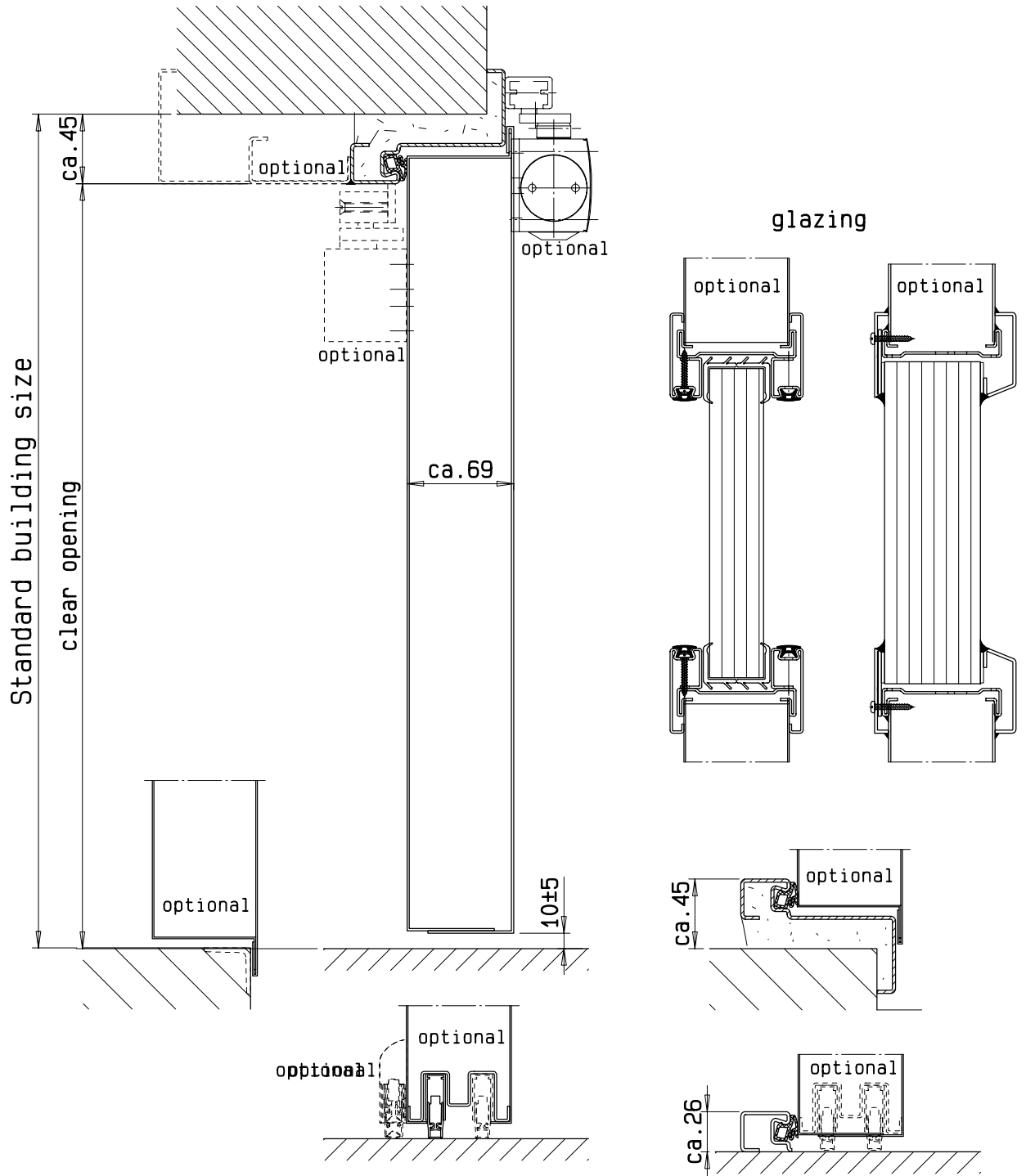


optional

System Schröders
Innovation Tür und Tor

Gerhard-Welter-Straße 7; D-41812 Erkelenz

double leaf steel door
for burglar resistance
"System Schröders ESN-2"
horizontal cross-section



System Schröders
 Innovation Tür und Tor
 Gerhard-Welter-Straße 7; D-41812 Erkelenz

**double leaf steel door
 for burglar resistance
 "System Schröders ESN-2"**
 vertical cross-section